

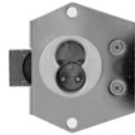
► 725RSL Enclosure Lock For NEMA Metal Traffic Control Boxes



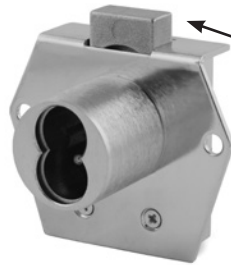
For BEST style interchangeable core cylinders



725RSL-LH



725RSL-RH



725RSL-VH
SQUARE SPRING LATCH

SPECIAL NOTE: This is a spring loaded square latch for metal enclosures only. For standard deadbolt function (used in wood casework), see 725RD or 725MD series locks.

IMPORTANT NOTE

For standard deadbolt function see **725RD** or **725MD**
For standard spring latch function see **725RL** or **725ML**

Item	Function	Finish	Cyl. Length	Description
725RSL-RH	RH Door	26D, US4	1-1/16"	Lock body - For small format IC Specialized spring bolt function for metal cabinet enclosures.
725RSL-LH	LH Door	26D, US4	1-1/16"	
725RSL-VH	VH Drawer	26D, US4	1-1/16"	

Note: Solid brass cylinder housing available in 26D and US4 finishes only.

SPECIFICATIONS

Retrofits: Best 5L7RD (with option code "SL" square latch, spring loaded)

Mounting: Rim (surface)

Square latch (725RSL): Available for VH, RH or LH functions

Material: Solid brass cylinder housing, steel back plate and steel case

Cylinder length: 1-1/16"

Barrel diameter: 1-1/8"

Finish: 26D or US4

Packaged: Packed 10 per box

KEYING INFORMATION

Cores: Not included. We can match painted BEST cores (blue, red, green, white or orange).

Accepts: Best, Arrow, Falcon, KSP, Schlage SFIC or equivalent small format interchangeable cores

Compatible electronic cylinders: Medeco Nexgen XT or VIDEX CyberLock SFIC cylinders

INCLUDED ACCESSORIES

725-1 spacer to fit 6 or 7 pin cores

725-SP-RL solid lipped strike

725-PA plastic thumbturn

OPTIONAL ACCESSORIES

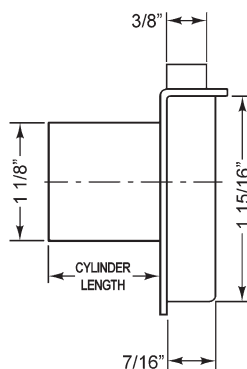
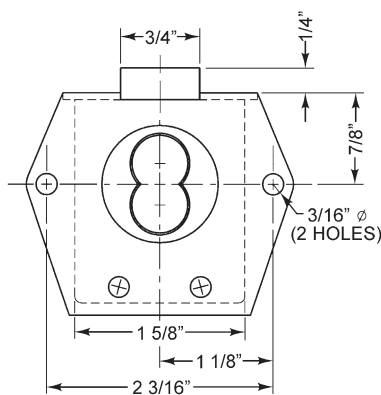
See the accessories section of this catalog for a complete list.

Spacers: WP725 (1/8" thick), WP726 (1/4" thick)

Strikes: 725-SP Series

SFIC cores: 206/207 Series (page 64)

ENCLOSURE LOCK (SQUARE-STYLE, SPRING BOLT)



725RSL

(Square Latch) Standard configuration.
Dimensions are the same for all handings.

FOR METAL CABINETS/ENCLOSURES

Locking mechanism (inside of cabinet)



To open cabinet, bolt retracts allowing handle on outside to rotate disk, disengaging top and bottom latching mechanisms. When handle and disk are moved back into the closed position, bolt springs back into slot in disk and the cabinet is locked.



OLYMPUS
LOCK INC.

Tel: 206.362.3290 | 800.525.0954
Fax 206.362.3569 | www.olympuslock.com



The following warning is applicable to all parts listed on this page:
WARNING: This product can expose you to chemicals including chromium, which is known to the State of California to cause cancer and birth defects or other reproductive harm. For more information go to www.P65Warnings.ca.gov.