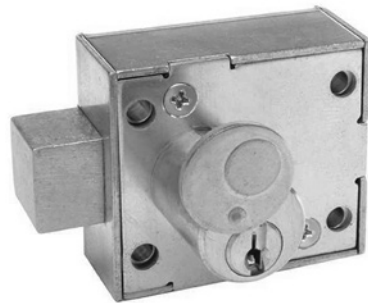
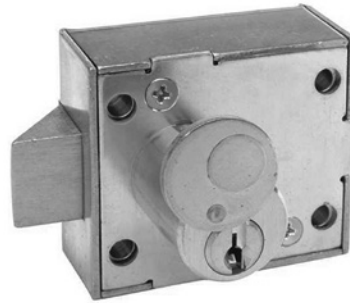


► E5D / E5L Enclosure Locks For NEMA Metal Traffic Control Boxes



E5D
(SPRING BOLT/
SQUARE LATCH)



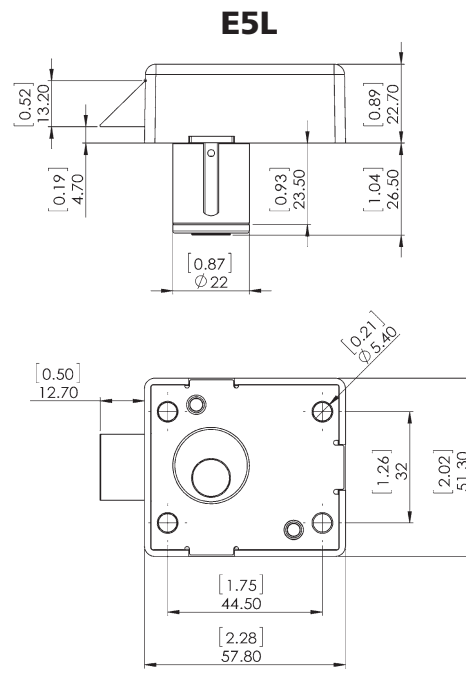
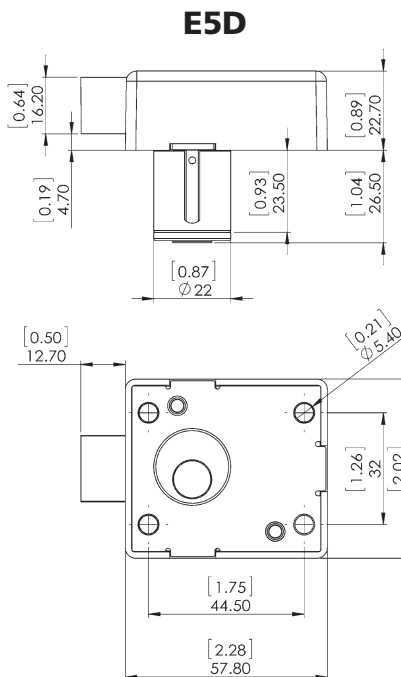
E5L
(SPRING LATCH)

CR KEYWAY

Item	Keyway	Function	Finish	Cyl. Length	Keying
E5D	CR	RH Door, Spring Bolt	US3	7/8"	Stock KA#2 (CR keyway) Custom keying available
E5L	CR	RH Door, Latch	US3	7/8"	

GR KEYWAY (COMING Q3 2024)

Item	Keyway	Function	Finish	Cyl. Length	Keying
E5DG	GR	RH Door, Spring Bolt	US3	7/8"	Custom keyed (GR keyway)
E5LG	GR	RH Door, latch	US3	7/8"	



SPECIFICATIONS

Type: Enclosure lock for NEMA-style traffic control boxes

Retrofits: CCL A55481. *Note: CCL A15481 is with solid brass construction. Olympus E5 Series includes zinc die cast cylinder, lock housing and bolt.*

For material thickness: 7/8"

Barrel diameter: 7/8"

Operation: 1/4 key turn retracts bolt/latch

Dustcap: Includes dustcap to cover and protect keyway

Material: Zinc die cast

Finish: US3 Polished Brass

Handing: Right-hand standard. For left-hand, lock can be rotated 180 degrees.

CR KEYWAY KEYING INFORMATION

Stock keying: Keyed alike #2 (CR Keyway)

Custom keying: Keyed alike, keyed different or masterkeyed available

Cylinder: 5-pin tumbler

Includes: Two keys per lock

Cut #2 Keys: CR Keyway KA#2 - KBCR-KA2-NP

Custom Keys: CR Keyway - KBCR-5-CUST

Key Blank: CR Keyway - KBCR-5-NP

GR KEYWAY KEYING INFORMATION

*** GR Keyway coming Q3 2024 ***

Stock keying: n/a

Custom keying: Keyed alike, keyed different or masterkeyed available

Cylinder: 5-pin tumbler

Includes: Two keys per lock

Custom Cut Keys: GR Keyway KBGR-NP-CUST

Key Blank: GR Keyway - KBGR-5-NP

E5D/E5L FOR METAL CABINETS/ENCLOSURES

Locking mechanism
(inside of cabinet)



To open cabinet, bolt retracts allowing handle on outside to rotate disk, disengaging top and bottom latching mechanisms. When handle and disk are moved back into the closed position, bolt springs back into slot in disk and the cabinet is locked.



The following warning is applicable to all parts listed on this page:
WARNING: This product can expose you to chemicals including chromium, which is known to the State of California to cause cancer and birth defects or other reproductive harm. for more information go to www.P65Warnings.ca.gov.

