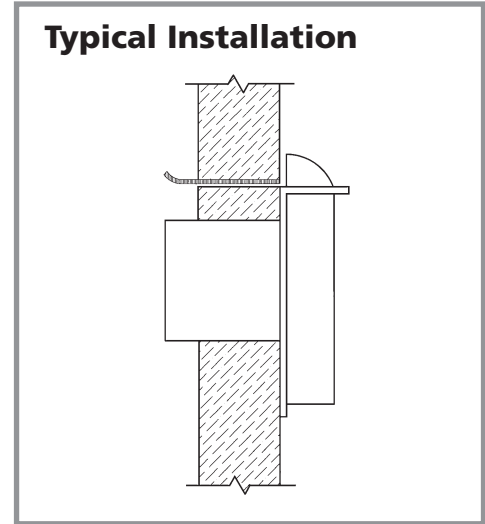


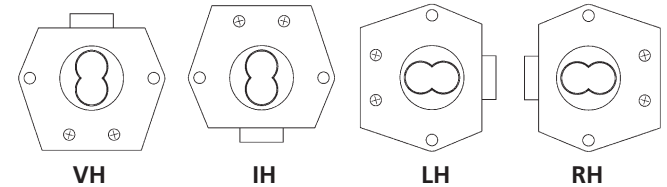
NOTE: Dimensions are the same for all handings



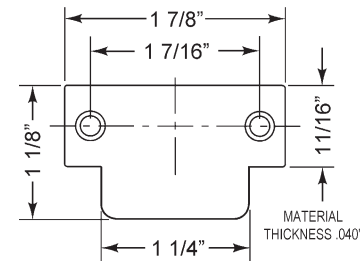
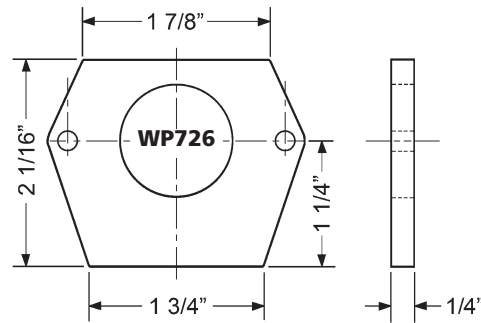
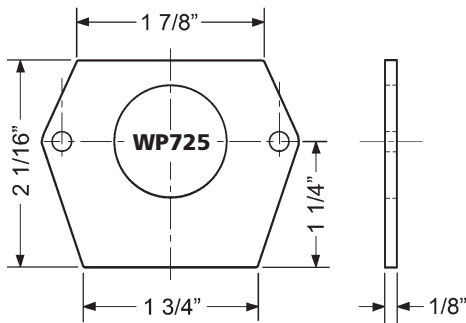
Included Accessories:

- 1 725-1 6-pin spacer
- 1 725-PA plastic thumbturn
- 1 725-SP-RL strike and screws (#5 x 5/8")
- 2 lock mounting screws (#8 x 5/8")

Handing Chart



Spacer options Note: use of spacers and strikes depends on application and material thickness.



**included: 725-SP-RL
solid lip strike**